

## THE DESIGN

The Revroy Brand of Boom Barrier **Model RR-TW-301M Series** is not just robust and reliable but are also stylishly designed to appear. The modern and classy design is to meet the demands of our discerning customer's requirement of barriers that not only offer long reliable life but also give their facility a modern appeal. These barriers are also ideally suitable for toll applications as they offer high speed opening and closing.

## THE DRIVE

The 24V DC Servo motor forms the heart of the Boom Barrier and provides the much-needed robustness so as to offer long reliable product life cycle. This is achieved by firstly preparing the body for the Drive Mechanism to sit on a frame that is made from Aluminium Alloy manufactured by Die-Casting with attention to precise dimensions.



Model No. RR-TW-310M

FIG.1

The Movement adopts parallel gear reduction that has high transmission efficiency and low power loss. The gear itself is made from high strength carbon steel carburised with heat treatment process, precision hobbing, anti-wear, anti-impact engineering for long service life. The Motor itself is small in size yet delivering a large output torque. The Speed is adjustable through the controller. The Movement of the boom is smooth as it accelerates and decelerates smoothly in both its open & close end positions.

## THE CONTROLLER

The controller of the REVROY Boom Barrier is all that one could ask for flexibility. When it comes to adjustment & arrangement of the functioning of the barrier it is indeed a versatile system with an array of adjustable parameters that our clients may demand, in specific to their site requirements.

Right from Boom Length adjustment combined with speed of operation for not just varied lengths but also position of braking, Varied options to engage the barrier to open and close etc., are all part of the controller settings offered for the convenience of the end user to decide, based on site conditions and demands. The System is delivered with Single Channel Loop Detector. A Radar Sensor or P E Beam as an option can also be offered depending on the demands of the site.

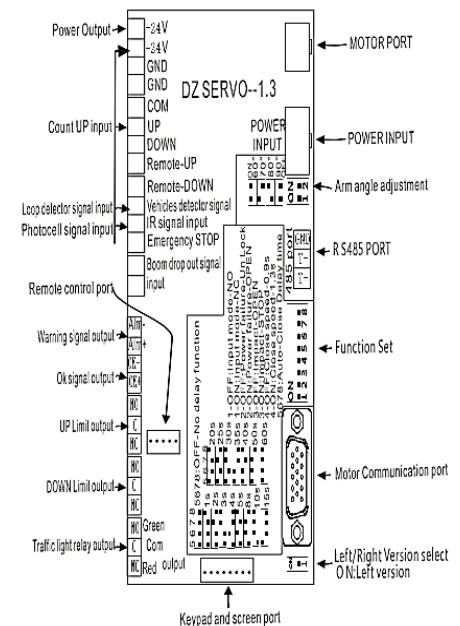


FIG.3

## THE DIMENSIONS

The Barrier Cabinet is fabricated in mild steel & Powder Coated in Orange. It offers IP54 protection. The dimension of the Barrier is 350 mm X 240 mm X 1050 mm. The Boom is an Octagonal Profile extrusion in Aluminium is not just for stability and low resistance against wind but also offering very high visibility. The Boom is 90 mm in Height & 45 mm in width. For better visibility, aesthetics and added safety the Boom arm can be provided with integrated Red/Green flashing light as an option. (See Fig.

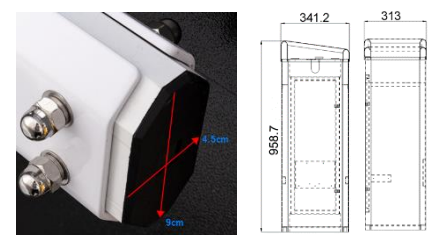


FIG.4

FIG.5

Technical Parameters	
Size	340 X 290 X 996 mm
Power Supply	240 VAC 50/60 Hz.
Open/close Speed	0.6s to 8.0s(Depending on arm length)
Working Temperature	-45°C ~ 85°C
Rated Power	100 Watts
Type of Motor	DC SERVO Motor
Motor No-load Speed	3000rpm
Output Power	56.8N.m
Humidity	≤95%
Remote Control Distance	≤100m (Open, Sunny Weather)
Protection	IP54
Max Boom Length	6M
Barrier Life Time	10 Million Cycles 35,000 Operations a day.
Operation During Power Failure	Manual Opening

Model No.	Boom Length	Opening Speed in Secs.	Closing Speed in Secs.
Model RR-TW-301S 20	< 2500 mm	0.6	0.6
Model RR-TW-301M 25	2500 mm	0.9	0.9
Model RR-TW-301M 30	3000 mm	0.9	0.9
Model RR-TW-301M 35	3500 mm	2.5	2.5
Model RR-TW-301M 40	4000 mm	2.5	2.5
Model RR-TW-301M 45	4500 mm	2.5	2.5
Model RR-TW-301M 50	5000 mm	4.5	4.5
Model RR-TW-301M 55	5500 mm	4.5	4.5
Model RR-TW-301M 60	6000 mm	4.5	4.5

## WARRANTY

The Barriers come with a warranty of Two Years from the date of Invoice or 30 Months from the date of Installation (whichever earlier) against manufacturing defect.

## SERVICE & INSTALLATION SUPPORT

Service & Installation support can be offered through our "Tech Support" partners. Request for such support however must be raised with the Technical Support Team @ REVROY.

## BARRIER CABINET

Barrier Cabinets are orange in Colour. However, Special Colours may also be offered at Additional Cost depending on the colour.



FIG.6



## BOOM

The Aluminium Booms are White in Colour with Red Reflective Tapes for better visibility. Red & Green Flashing Lights integrated with the Boom can be offered as an option. The Boom will flash Green when the Barrier Arm is Opening & Flash Red when the Arm is closing.

## FOUNDATION DETAILS

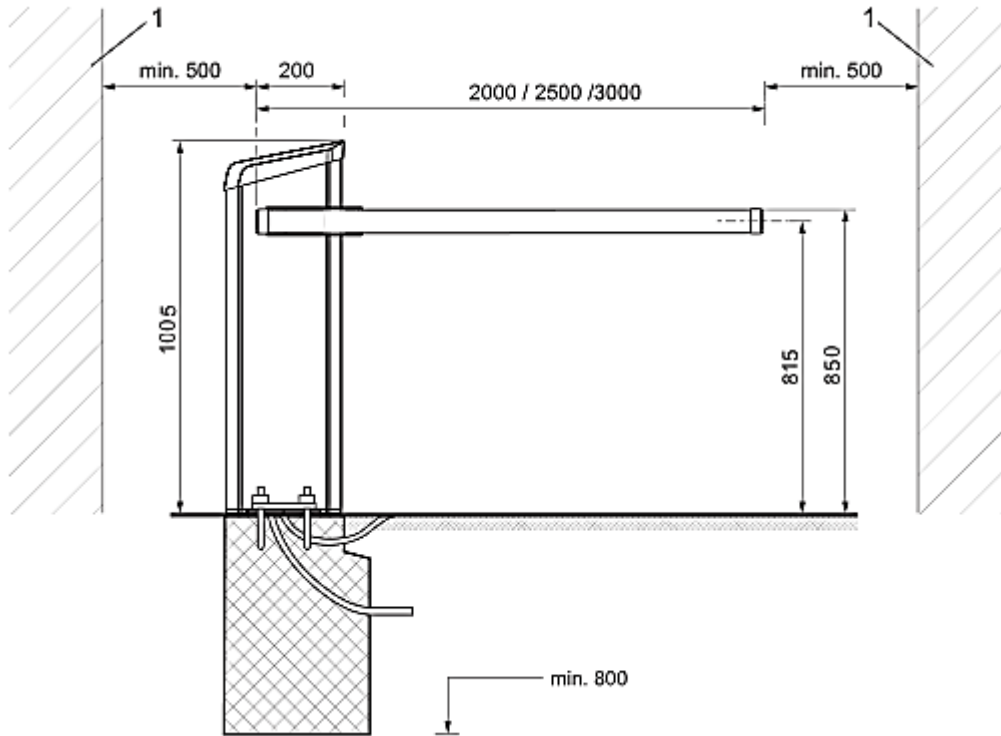
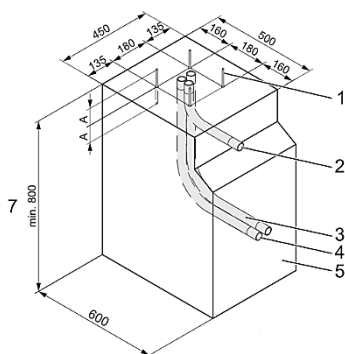
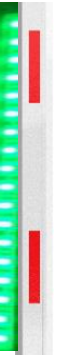
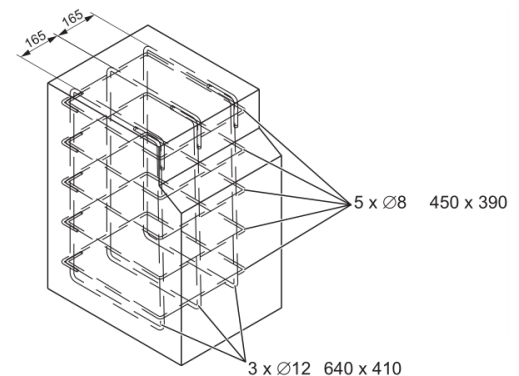


FIG. 7



1. Fixing bolts (4 pcs)
2. 29mm diameter cable tube for inductive coil wire
3. 29mm diameter cable tube for power wire
4. 29mm diameter cable tube for controller wire
5. Concrete basement (BH PC250, strength = 25N / mm<sup>2</sup>)

1. The concrete in the foundation is BH PC 250 grade concrete (strength 25N/m<sup>2</sup>).
2. The base surface must be smooth so that the barrier machine case can be level and horizontally installed on it. After the concrete has been poured, the fixing screw holes can be drilled on the base surface according to the position shown on picture.
3. Drilling distance: 170mm (square arrangement, see picture).
4. Hole diameter: 16mm Hole depth: 100mm
5. After drilling the hole, install the four M16 × 150 set fixed screws in four holes.





# REVROY

Solutions For Controlled Access

## CONTACT

Ravi@revroy.com | Info@revroy.com

+91 080 41302021, +91 080 41571225, +91 9840294082

### SALES OFFICE

No.#13, Hamdh Court Building,  
Mother Teresa Road, Austin Town,  
Bangalore-560 047, India

### FACTORY

Plot No 143-B, Bommasandra Industrial Area  
Bangalore-560099, Karnataka. India.  
+91 80 41658921

“Finest from the very best from around the world”



[www.revroy.com](http://www.revroy.com)